

Input data

System of measurement		Metric
Input type		Gear motor
Input speed	[rpm]	1400
Output speed	[rpm]	14.06
Ratio (i=)		99.54
Frequency	[Hz]	50
Input options		IEC
Requested input power	[kW]	0.75
Service factor		0.9
Rated Power P1	[kW]	0.67

Output data

Gear unit **M RD 33 B3 H1 99.54 80 B14 AU 35x70 MT 0.75 kW 80 B4 B14 X3**

Type		RD - Helical gearboxes
Input type		M
Size		33
Ratio (i=)		99.54
Input flange		B14
Mounting position		H1
Input speed	[rpm]	1400
Output speed	[rpm]	14.06
Rated output torque	[Nm]	478.7
Service Factor		0.9
Efficiency		0.94
Inertia moment	[kgm ²]	0.000468

Gear unit configuration

Fixing		Feet
Output shaft		AU 35x70

Output radial and axial loads

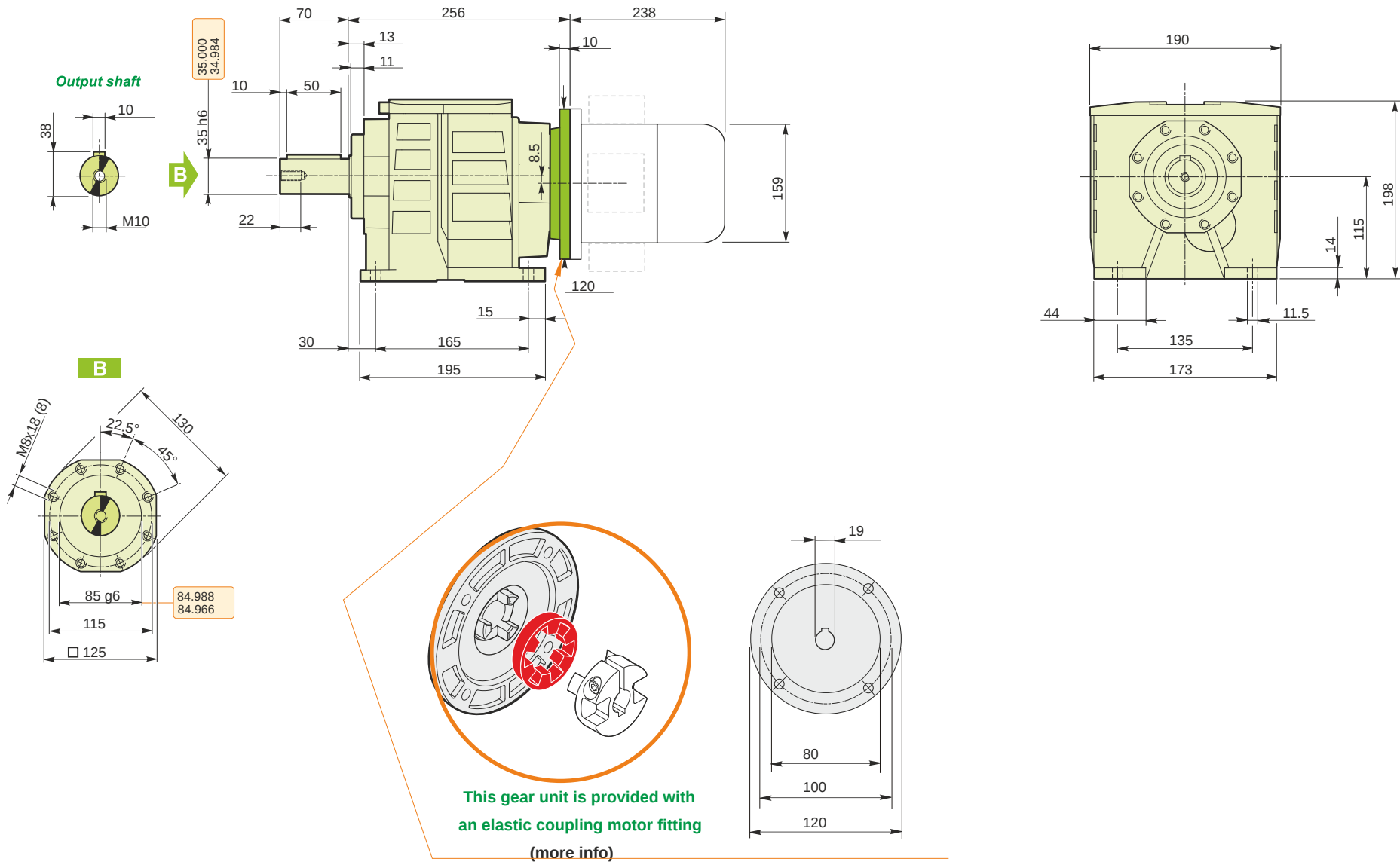
Output radial load	[N]	4500
Output axial load	[N]	900

Electric motor

Size		80 B4
Poles		4
Power	[kW]	0.75

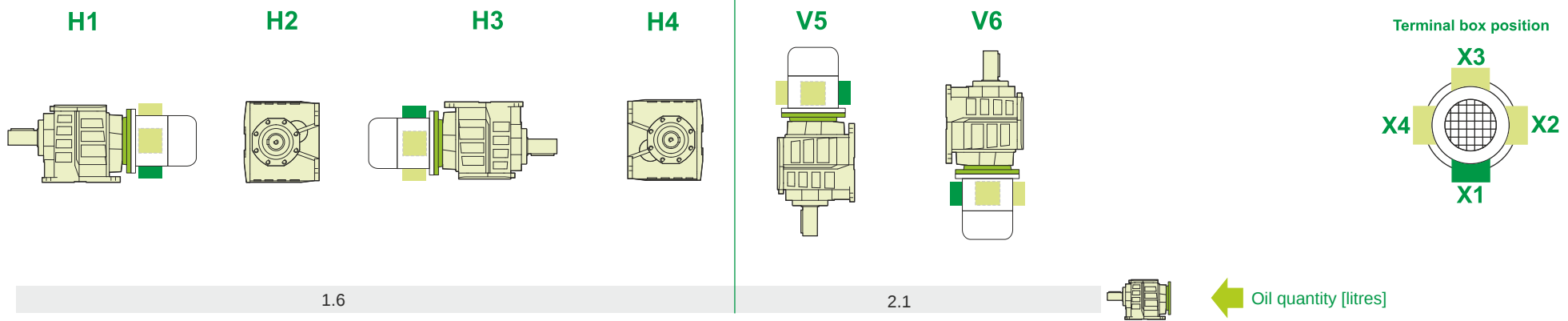
Electric motor configuration

Motor flange		B14
Terminal box position		X3



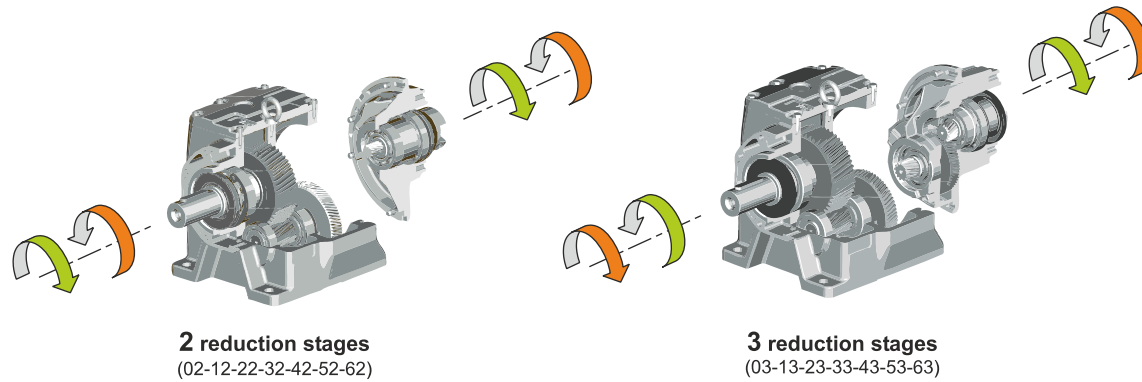
M RD 33 B3 H1 99.54 80 B14 AU 35x70 MT 0.75 kW 80 B4 B14 X3

Mounting positions



Lubricant type: Long life synthetic oil ISO VG320

Direction of rotation



Weight

Gear unit [kg]	14.5
Electric motor [kg]	9.8

M RD 33 B3 H1 99.54 80 B14 AU 35x70 MT 0.75 kW 80 B4 B14 X3