

### Input data

System of measurement		Metric
Input type		Gear motor
Input speed	[rpm]	1400
Output speed	[rpm]	5.43
Ratio (i=)		257.6
Frequency	[Hz]	50
Input options		IEC
Requested input power	[kW]	0.25
Service factor		1
Rated Power P1	[kW]	0.26

### Output data

<b>Gear unit</b>	<b>M RD 33 B3 H1 257.6 71 B14 AU 35x70 MT 0.25 kW 71 A4 B14 X3</b>	
------------------	--	--

Type		RD - Helical gearboxes
Input type		M
Size		33
Ratio (i=)		257.6
Input flange		B14
Mounting position		H1
Input speed	[rpm]	1400
Output speed	[rpm]	5.43
Rated output torque	[Nm]	412.94
Service Factor		1
Efficiency		0.94
Inertia moment	[kgm <sup>2</sup> ]	0.00063

#### Gear unit configuration

Fixing		Feet
Output shaft		AU 35x70

#### Output radial and axial loads

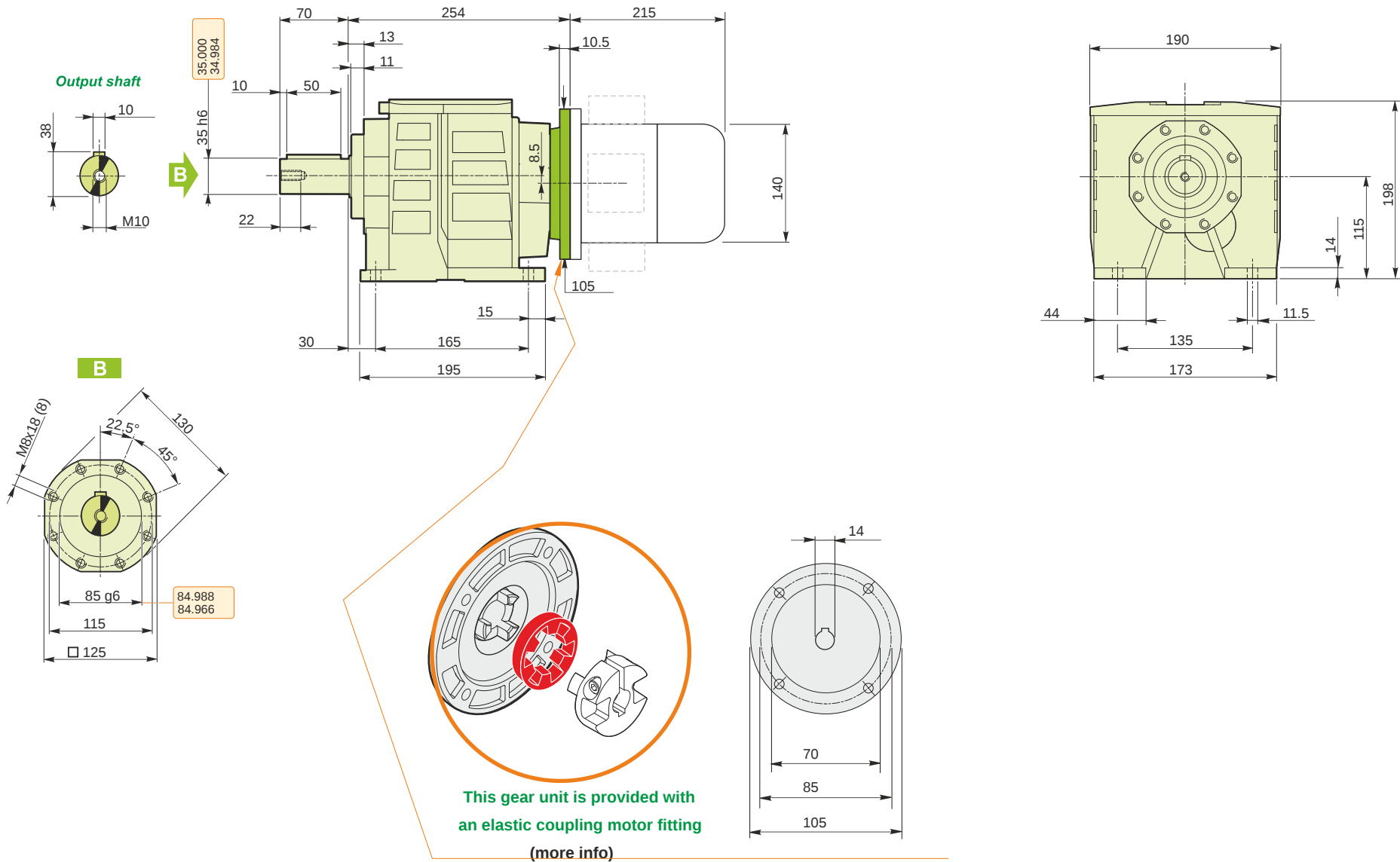
Output radial load	[N]	4300
Output axial load	[N]	860

#### Electric motor

Size		71 A4
Poles		4
Power	[kW]	0.25

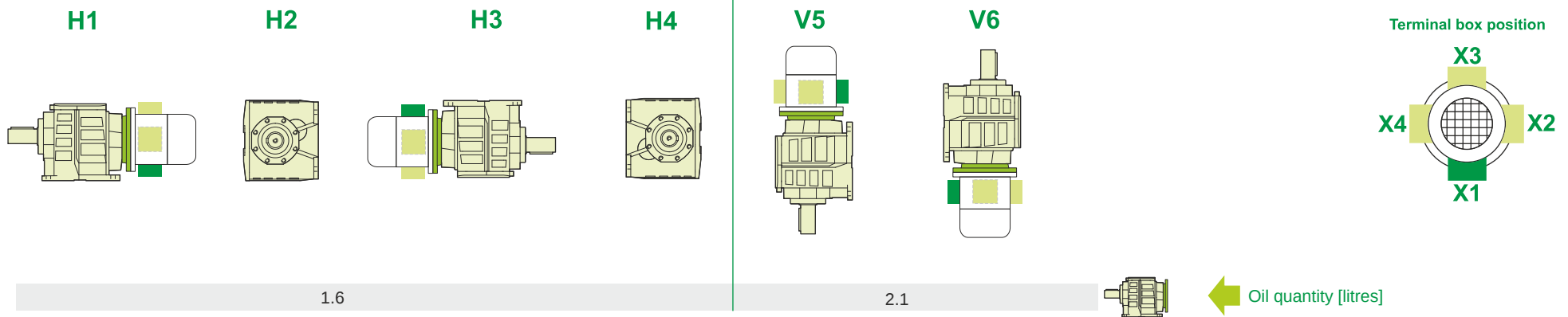
#### Electric motor configuration

Motor flange		B14
Terminal box position		X3



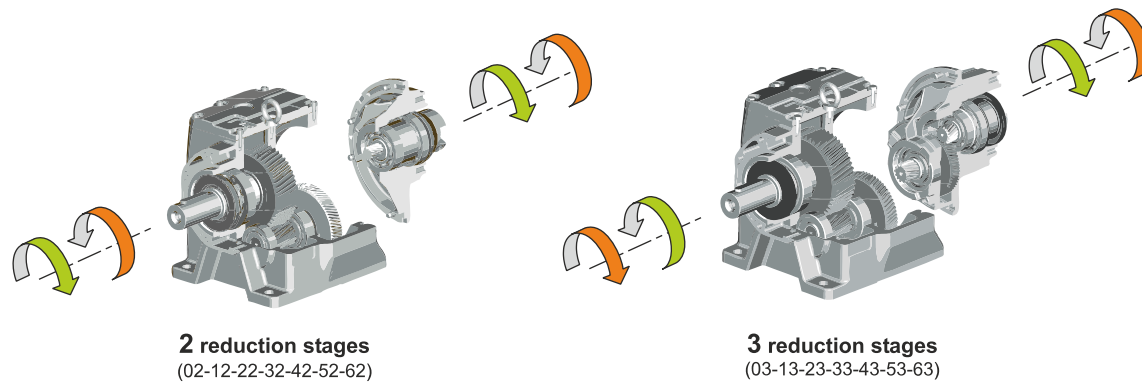
**M RD 33 B3 H1 257.6 71 B14 AU 35x70 MT 0.25 kW 71 A4 B14 X3**

**Mounting positions**



Lubricant type: Long life synthetic oil ISO VG320

**Direction of rotation**



**Weight**

Gear unit [kg]	14.5
Electric motor [kg]	6.2

**M RD 33 B3 H1 257.6 71 B14 AU 35x70 MT 0.25 kW 71 A4 B14 X3**