

Input data

System of measurement		Metric
Input type		Gear motor
Input speed	[rpm]	1400
Output speed	[rpm]	4.56
Ratio (i=)		307.21
Frequency	[Hz]	50
Input options		IEC
Requested input power	[kW]	0.25
Service factor		0.9
Rated Power P1	[kW]	0.22

Output data

Gear unit	M RD 33 B3 H1 307.21 71 B14 AU 35x70 MT 0.25 kW 71 A4 B14 X3	
------------------	---	--

Type		RD - Helical gearboxes
Input type		M
Size		33
Ratio (i=)		307.21
Input flange		B14
Mounting position		H1
Input speed	[rpm]	1400
Output speed	[rpm]	4.56
Rated output torque	[Nm]	492.47
Service Factor		0.9
Efficiency		0.94
Inertia moment	[kgm ²]	0.000631

Gear unit configuration

Fixing		Feet
Output shaft		AU 35x70

Output radial and axial loads

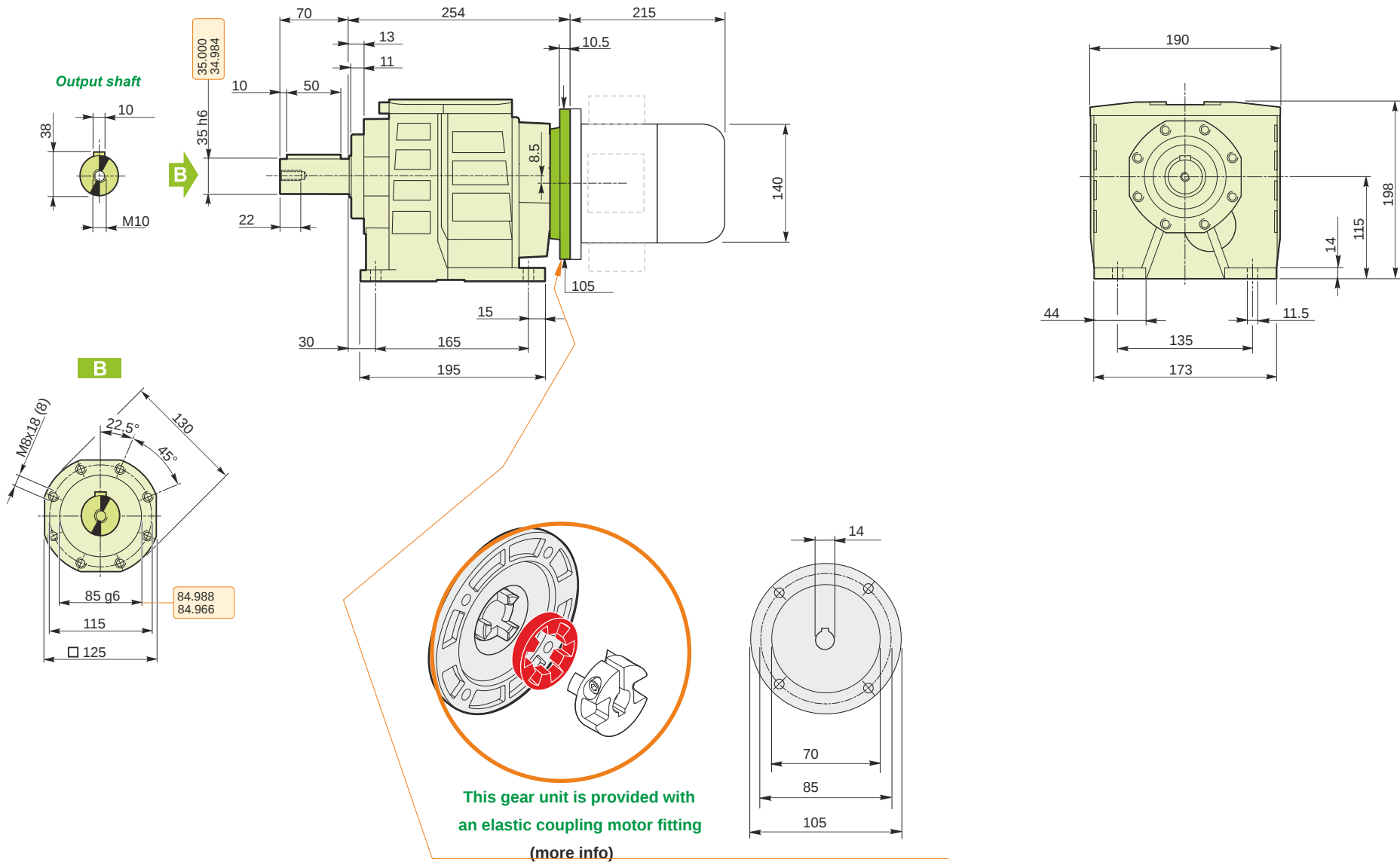
Output radial load	[N]	4500
Output axial load	[N]	900

Electric motor

Size		71 A4
Poles		4
Power	[kW]	0.25

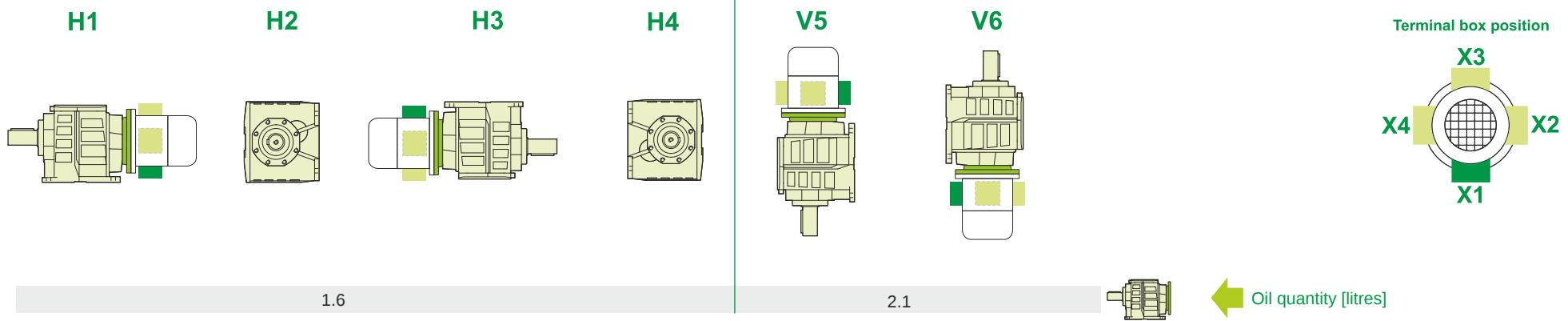
Electric motor configuration

Motor flange		B14
Terminal box position		X3



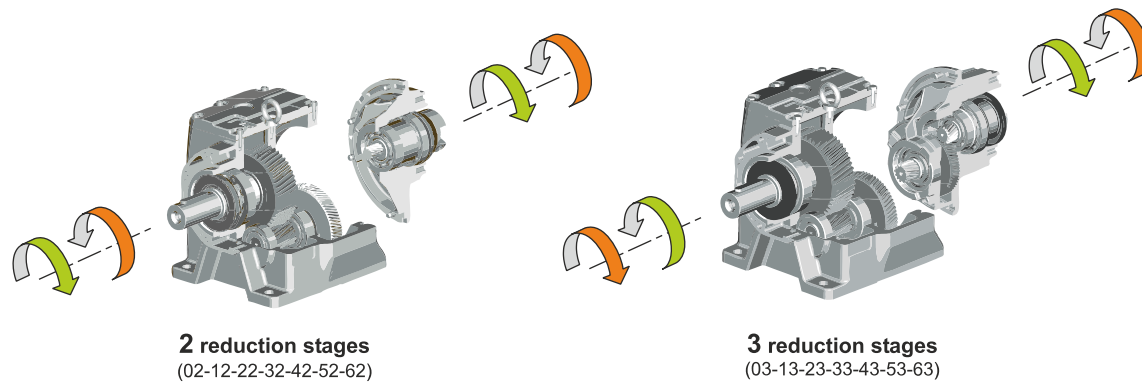
M RD 33 B3 H1 307.21 71 B14 AU 35x70 MT 0.25 kW 71 A4 B14 X3

Mounting positions



Lubricant type: Long life synthetic oil ISO VG320

Direction of rotation



Weight

Gear unit [kg]	14.5
Electric motor [kg]	6.2

M RD 33 B3 H1 307.21 71 B14 AU 35x70 MT 0.25 kW 71 A4 B14 X3