

Input data

| | | |
|-----------------------|-------|------------|
| System of measurement | | Metric |
| Input type | | Gear motor |
| Input speed | [rpm] | 1400 |
| Output speed | [rpm] | 289.86 |
| Ratio (i=) | | 4.83 |
| Frequency | [Hz] | 50 |
| Input options | | IEC |
| Requested input power | [kW] | 9.2 |
| Service factor | | 1.4 |
| Rated Power P1 | [kW] | 12.64 |

Output data

Gear unit **M RD 42 B3 H1 4.83 132 B14 AU 35x70 MT 9.2 kW 132 ML4 B14 X3**

| | | |
|---------------------|---------------------|------------------------|
| Type | | RD - Helical gearboxes |
| Input type | | M |
| Size | | 42 |
| Ratio (i=) | | 4.83 |
| Input flange | | B14 |
| Mounting position | | H1 |
| Input speed | [rpm] | 1400 |
| Output speed | [rpm] | 289.86 |
| Rated output torque | [Nm] | 290.99 |
| Service Factor | | 1.4 |
| Efficiency | | 0.96 |
| Inertia moment | [kgm ²] | 0.001081 |

Gear unit configuration

| | | |
|--------------|--|----------|
| Fixing | | Feet |
| Output shaft | | AU 35x70 |

Output radial and axial loads

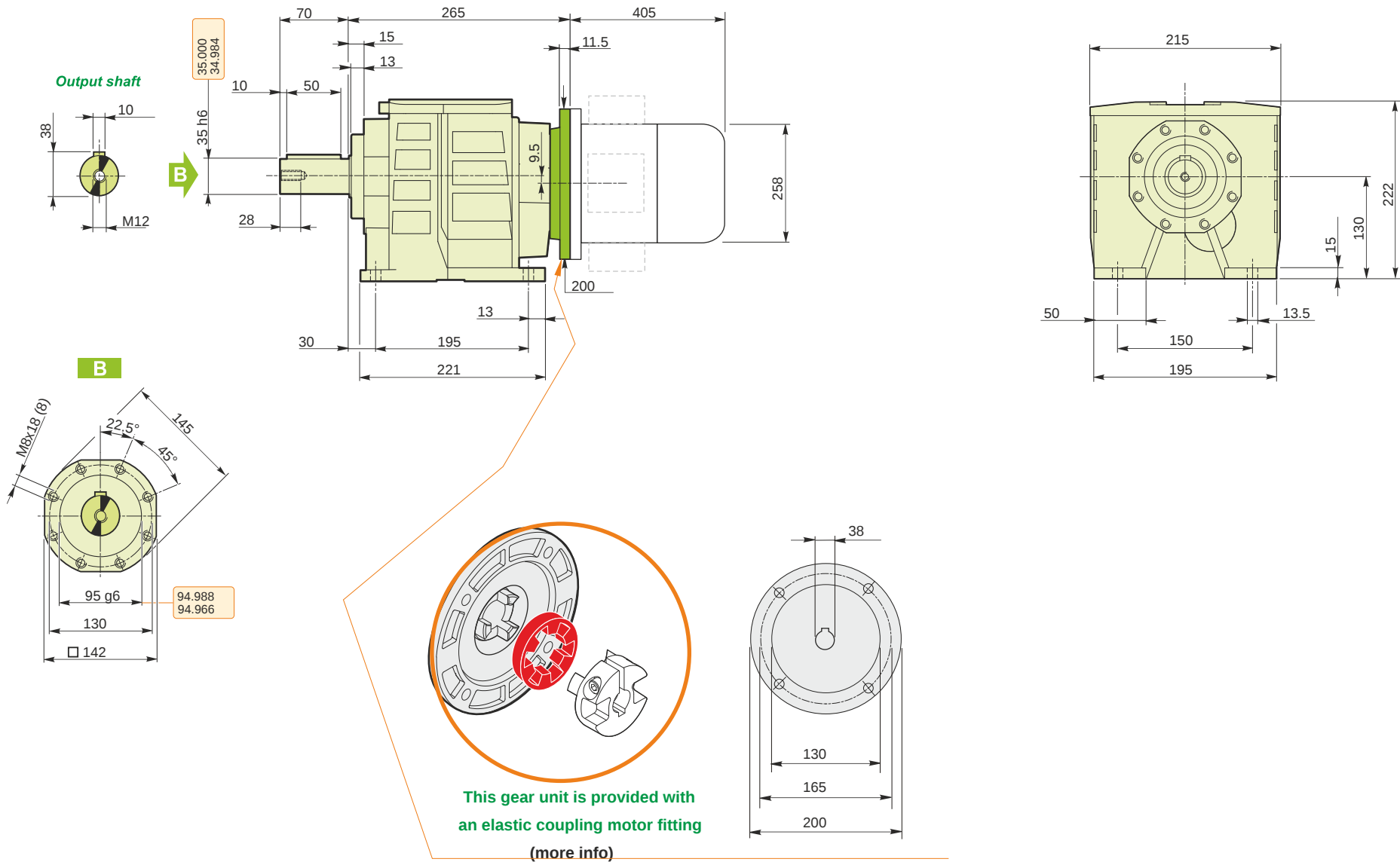
| | | |
|--------------------|-----|------|
| Output radial load | [N] | 3000 |
| Output axial load | [N] | 600 |

Electric motor

| | | |
|-------|------|---------|
| Size | | 132 ML4 |
| Poles | | 4 |
| Power | [kW] | 9.2 |

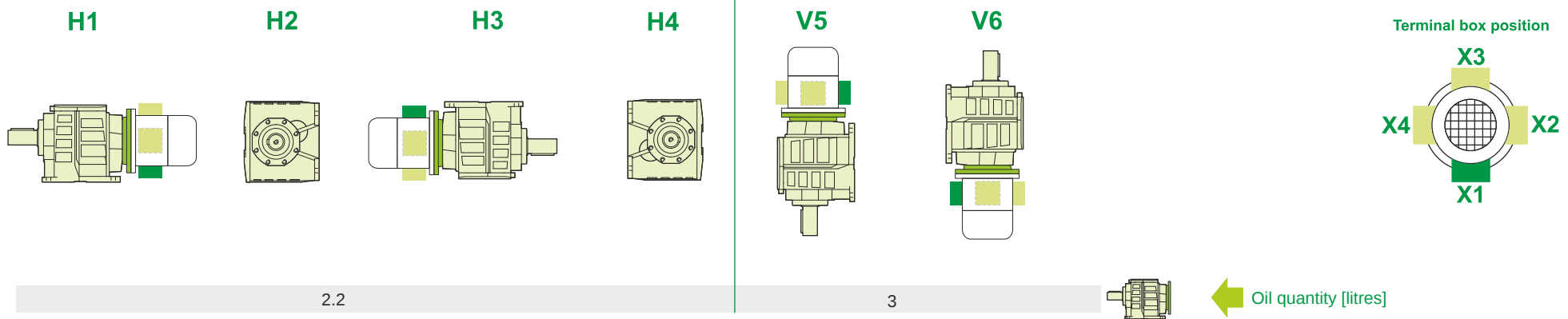
Electric motor configuration

| | | |
|-----------------------|--|-----|
| Motor flange | | B14 |
| Terminal box position | | X3 |



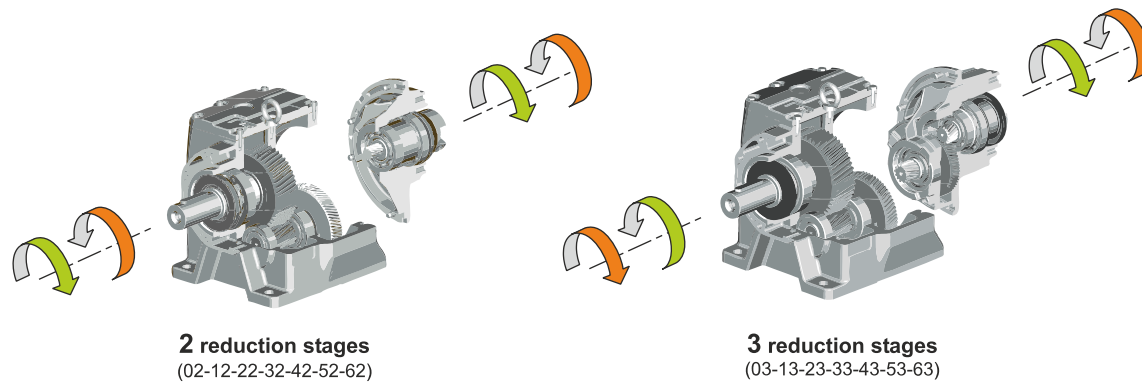
M RD 42 B3 H1 4.83 132 B14 AU 35x70 MT 9.2 kW 132 ML4 B14 X3

Mounting positions



Lubricant type: Long life synthetic oil ISO VG320

Direction of rotation



Weight

| | |
|---------------------|----|
| Gear unit [kg] | 20 |
| Electric motor [kg] | 52 |

M RD 42 B3 H1 4.83 132 B14 AU 35x70 MT 9.2 kW 132 ML4 B14 X3