

Input data

System of measurement		Metric
Input type		Gear motor
Input speed	[rpm]	1400
Output speed	[rpm]	4.48
Ratio (i=)		312.3
Frequency	[Hz]	50
Input options		IEC
Requested input power	[kW]	0.55
Service factor		0.6
Rated Power P1	[kW]	0.35

Warning! The torque generated by the selected motor is above the gearbox rated output torque; please refer to the gearbox rated output torque.

Output data

Gear unit M RD 43 B3 H1 312.3 80 B14 AU 40x80 MT 0.55 kW 80 A4 B14 X3

Type		RD - Helical gearboxes
Input type		M
Size		43
Ratio (i=)		312.3
Input flange		B14
Mounting position		H1
Input speed	[rpm]	1400
Output speed	[rpm]	4.48
Rated output torque	[Nm]	700
Service Factor		0.6
Efficiency		0.94
Inertia moment	[kgm ²]	0.001133

Gear unit configuration

Fixing		Feet
Output shaft		AU 40x80

Output radial and axial loads

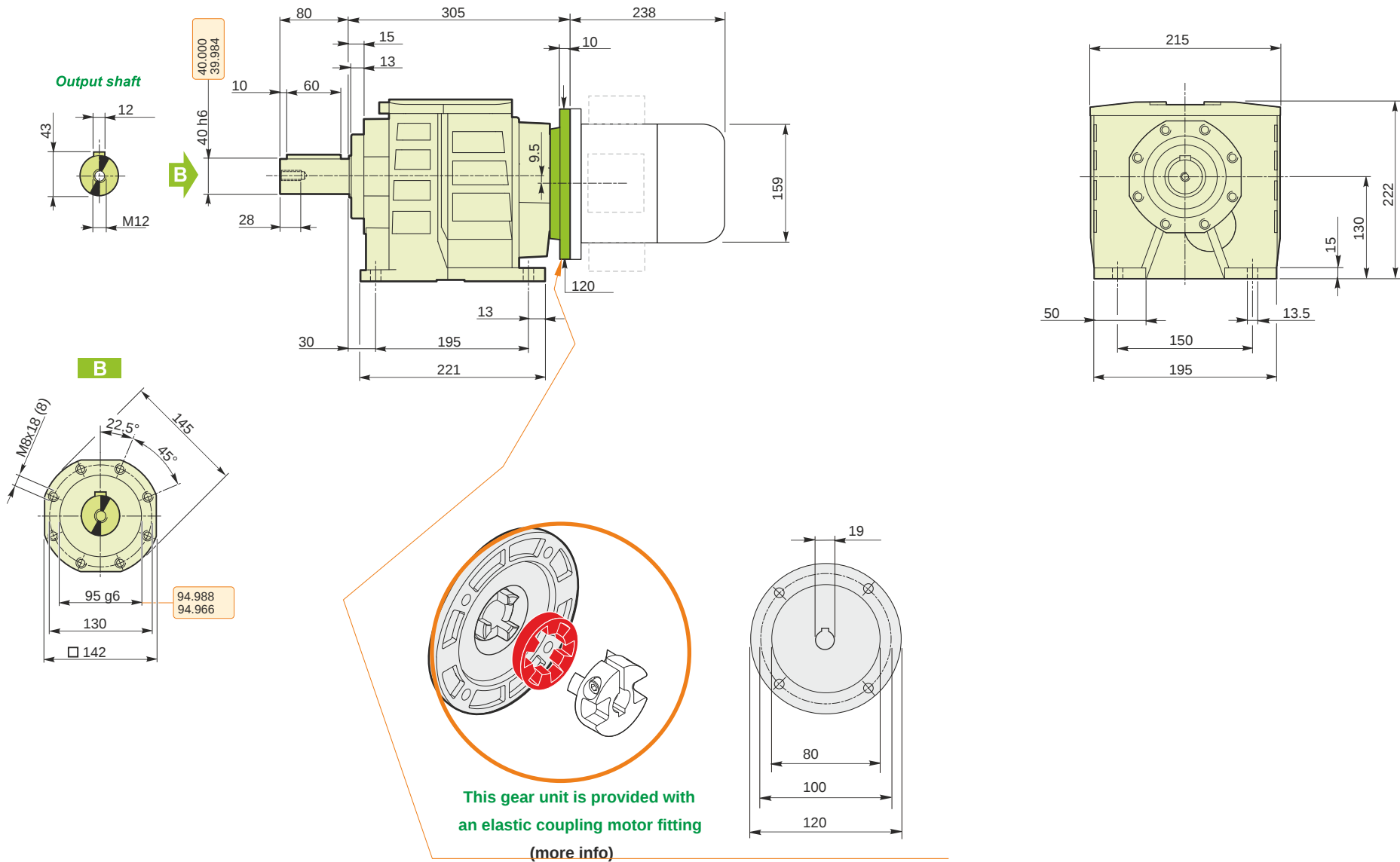
Output radial load	[N]	6000
Output axial load	[N]	1200

Electric motor

Size		80 A4
Poles		4
Power	[kW]	0.55

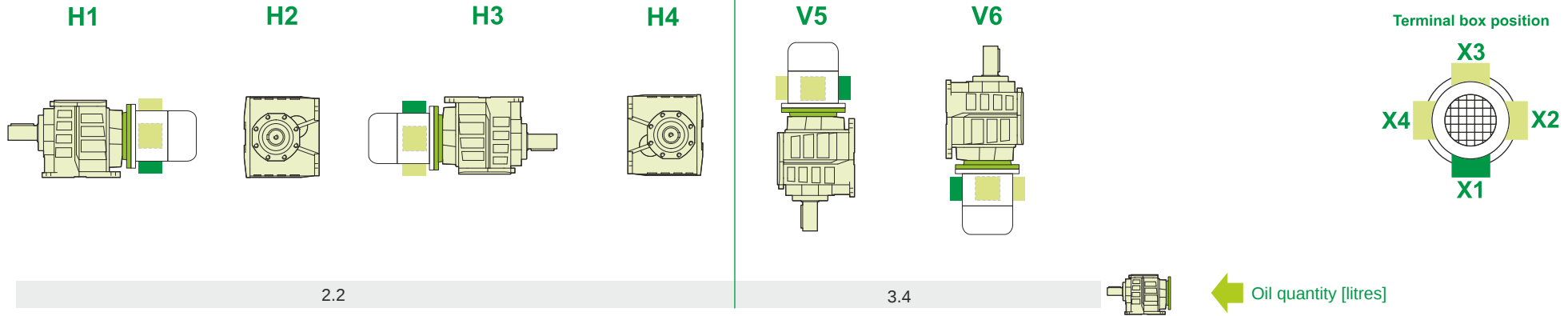
Electric motor configuration

Motor flange		B14
Terminal box position		X3



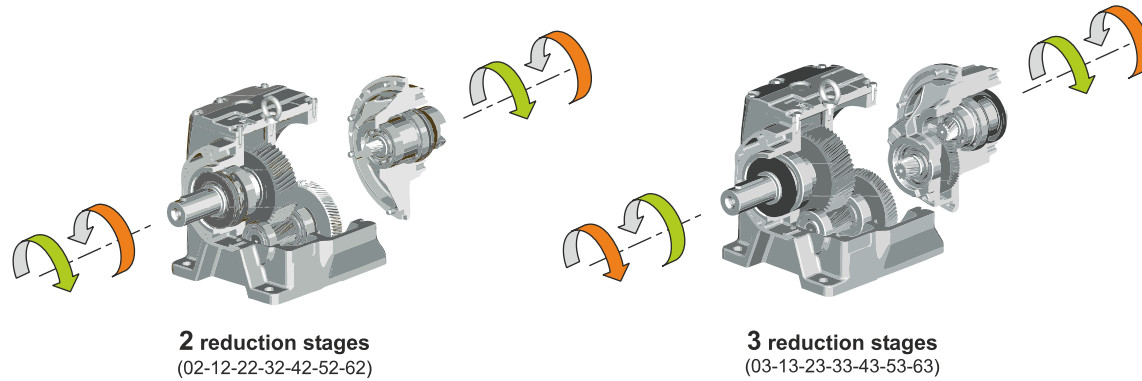
M RD 43 B3 H1 312.3 80 B14 AU 40x80 MT 0.55 kW 80 A4 B14 X3

Mounting positions



Lubricant type: Long life synthetic oil ISO VG320

Direction of rotation



Weight

Gear unit [kg]	21.5
Electric motor [kg]	9.8

M RD 43 B3 H1 312.3 80 B14 AU 40x80 MT 0.55 kW 80 A4 B14 X3