

Input data

| | | |
|-----------------------|-------|------------|
| System of measurement | | Metric |
| Input type | | Gear motor |
| Input speed | [rpm] | 1400 |
| Output speed | [rpm] | 34.58 |
| Ratio (i=) | | 40.48 |
| Frequency | [Hz] | 50 |
| Input options | | IEC |
| Requested input power | [kW] | 4 |
| Service factor | | 0.8 |
| Rated Power P1 | [kW] | 3.21 |

Output data

Gear unit **M RD 52 B3 H1 40.48 112 B5 AU 40x80 MT 4 kW 112 A4 B5 X3**

| | | |
|---------------------|---------------------|------------------------|
| Type | | RD - Helical gearboxes |
| Input type | | M |
| Size | | 52 |
| Ratio (i=) | | 40.48 |
| Input flange | | B5 |
| Mounting position | | H1 |
| Input speed | [rpm] | 1400 |
| Output speed | [rpm] | 34.58 |
| Rated output torque | [Nm] | 1060.34 |
| Service Factor | | 0.8 |
| Efficiency | | 0.96 |
| Inertia moment | [kgm ²] | 0.001086 |

Gear unit configuration

| | | |
|--------------|--|----------|
| Fixing | | Feet |
| Output shaft | | AU 40x80 |

Output radial and axial loads

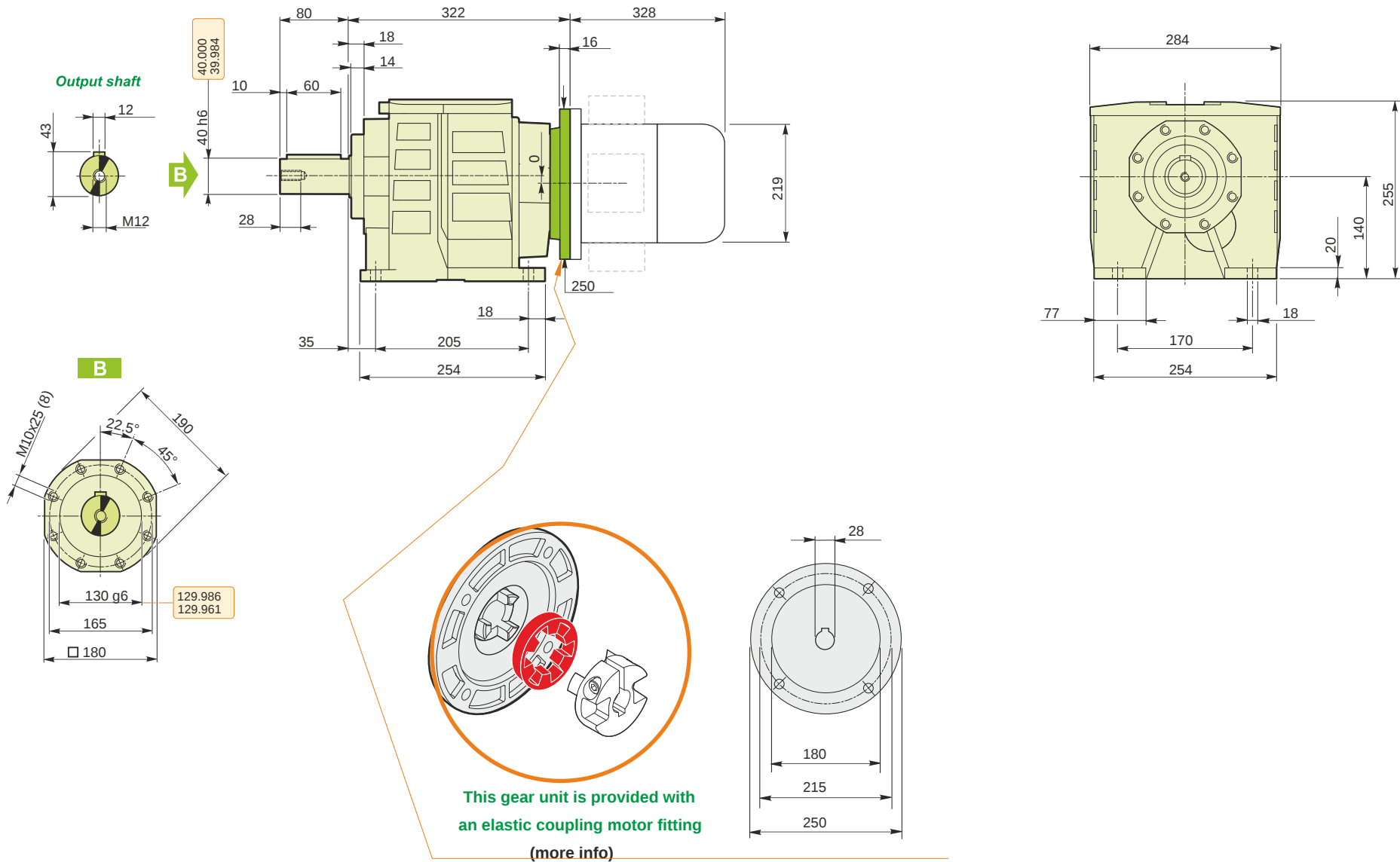
| | | |
|--------------------|-----|-------|
| Output radial load | [N] | 10500 |
| Output axial load | [N] | 2100 |

Electric motor

| | | |
|-------|------|--------|
| Size | | 112 A4 |
| Poles | | 4 |
| Power | [kW] | 4 |

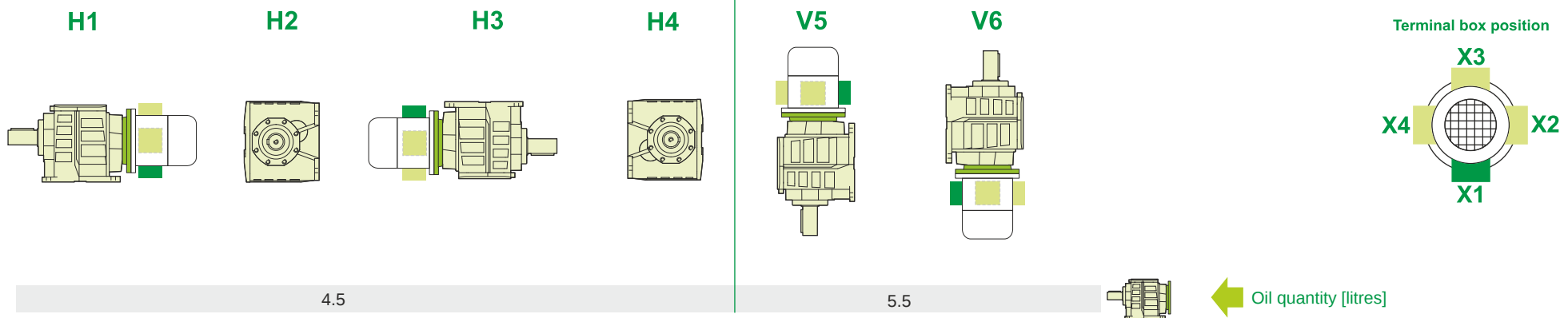
Electric motor configuration

| | | |
|-----------------------|--|----|
| Motor flange | | B5 |
| Terminal box position | | X3 |



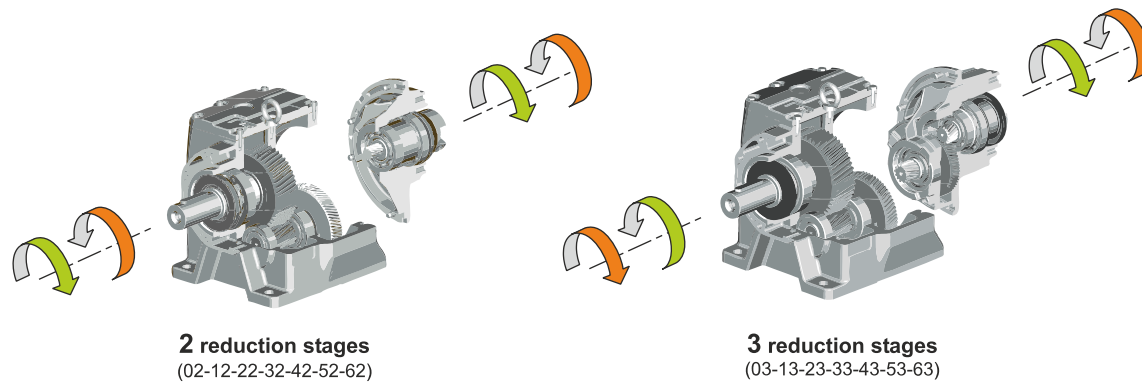
M RD 52 B3 H1 40.48 112 B5 AU 40x80 MT 4 kW 112 A4 B5 X3

Mounting positions



Lubricant type: Long life synthetic oil ISO VG320

Direction of rotation



Weight

| | |
|---------------------|----|
| Gear unit [kg] | 49 |
| Electric motor [kg] | 29 |

M RD 52 B3 H1 40.48 112 B5 AU 40x80 MT 4 kW 112 A4 B5 X3