

Input data

System of measurement		Metric
Input type		Gear motor
Input speed	[rpm]	1400
Output speed	[rpm]	10.79
Ratio (i=)		129.8
Frequency	[Hz]	50
Input options		IEC
Requested input power	[kW]	1.5
Service factor		1
Rated Power P1	[kW]	1.56

Output data

Gear unit **M RD 53 B3 H1 129.8 90 B5 AU 50x100 MT 1.5 kW 90 L4 B5 X3**

Type		RD - Helical gearboxes
Input type		M
Size		53
Ratio (i=)		129.8
Input flange		B5
Mounting position		H1
Input speed	[rpm]	1400
Output speed	[rpm]	10.79
Rated output torque	[Nm]	1248.44
Service Factor		1
Efficiency		0.94
Inertia moment	[kgm ²]	0.001358

Gear unit configuration

Fixing		Feet
Output shaft		AU 50x100

Output radial and axial loads

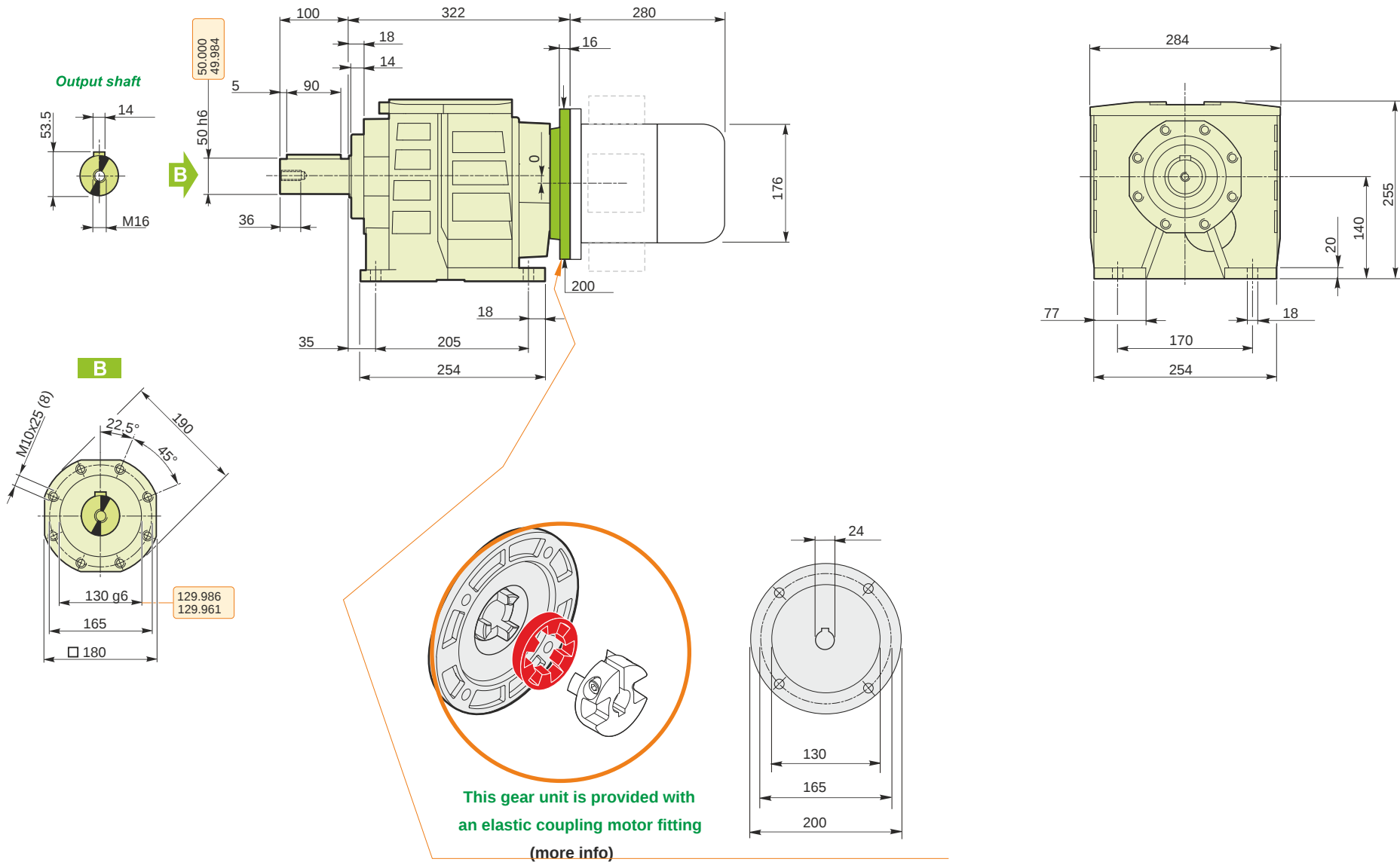
Output radial load	[N]	8100
Output axial load	[N]	1620

Electric motor

Size		90 L4
Poles		4
Power	[kW]	1.5

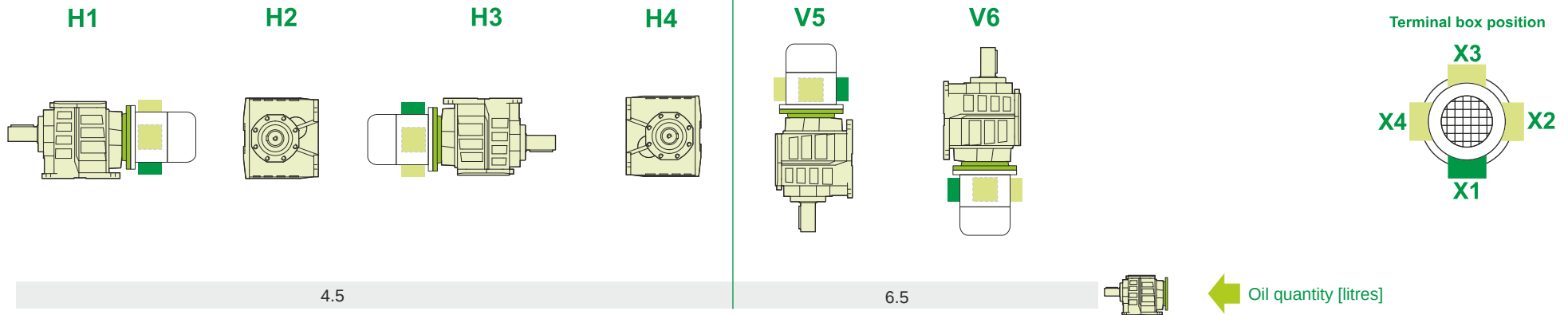
Electric motor configuration

Motor flange		B5
Terminal box position		X3



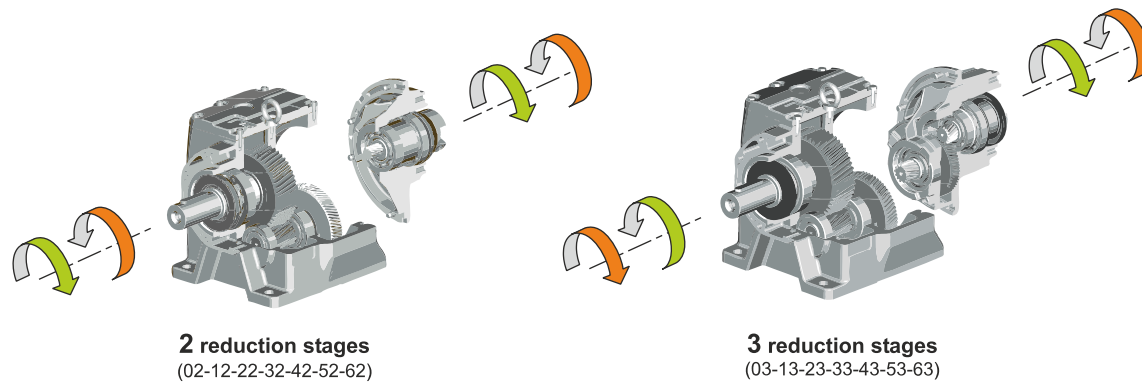
M RD 53 B3 H1 129.8 90 B5 AU 50x100 MT 1.5 kW 90 L4 B5 X3

Mounting positions



Lubricant type: Long life synthetic oil ISO VG320

Direction of rotation



Weight

Gear unit [kg]	52
Electric motor [kg]	13.5

M RD 53 B3 H1 129.8 90 B5 AU 50x100 MT 1.5 kW 90 L4 B5 X3