

Input data

System of measurement		Metric
Input type		Gear motor
Input speed	[rpm]	1400
Output speed	[rpm]	5.3
Ratio (i=)		264
Frequency	[Hz]	50
Input options		IEC
Requested input power	[kW]	0.75
Service factor		1
Rated Power P1	[kW]	0.77

Output data

Gear unit **M RD 53 B3 H1 264 80 B5 AU 50x100 MT 0.75 kW 80 B4 B5 X3**

Type		RD - Helical gearboxes
Input type		M
Size		53
Ratio (i=)		264
Input flange		B5
Mounting position		H1
Input speed	[rpm]	1400
Output speed	[rpm]	5.3
Rated output torque	[Nm]	1269.6
Service Factor		1
Efficiency		0.94
Inertia moment	[kgm ²]	0.001585

Gear unit configuration

Fixing		Feet
Output shaft		AU 50x100

Output radial and axial loads

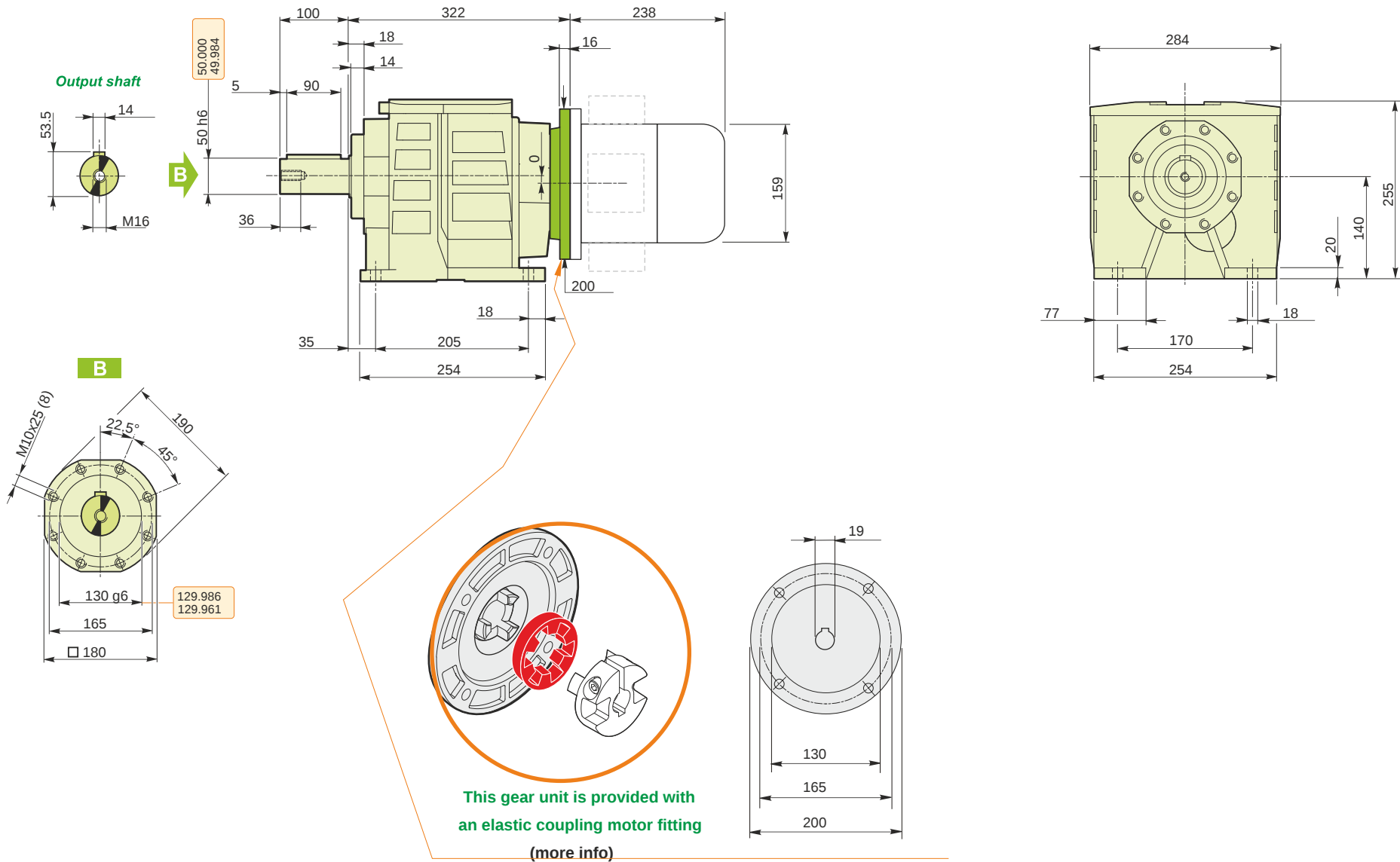
Output radial load	[N]	8700
Output axial load	[N]	1740

Electric motor

Size		80 B4
Poles		4
Power	[kW]	0.75

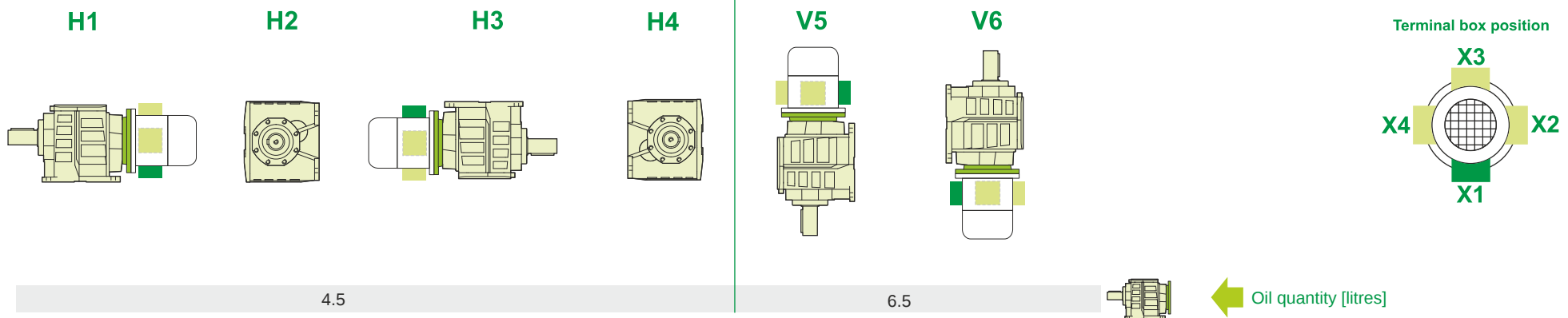
Electric motor configuration

Motor flange		B5
Terminal box position		X3



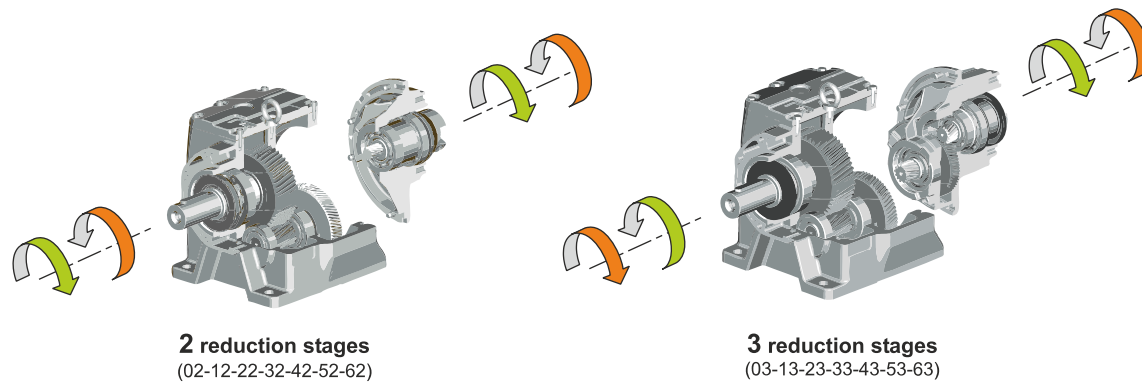
M RD 53 B3 H1 264 80 B5 AU 50x100 MT 0.75 kW 80 B4 B5 X3

Mounting positions



Lubricant type: Long life synthetic oil ISO VG320

Direction of rotation



Weight

Gear unit [kg]	52
Electric motor [kg]	9.8

M RD 53 B3 H1 264 80 B5 AU 50x100 MT 0.75 kW 80 B4 B5 X3