

### Input data

System of measurement		Metric
Input type		Gear motor
Input speed	[rpm]	1400
Output speed	[rpm]	3.48
Ratio (i=)		402.4
Frequency	[Hz]	50
Input options		IEC
Requested input power	[kW]	0.55
Service factor		0.6
Rated Power P1	[kW]	0.35

**Warning! The torque generated by the selected motor is above the gearbox rated output torque; please refer to the gearbox rated output torque.**

### Output data

**Gear unit** M RD 53 B3 H1 402.4 80 B5 AU 50x100 MT 0.55 kW 80 A4 B5 X3

Type		RD - Helical gearboxes
Input type		M
Size		53
Ratio (i=)		402.4
Input flange		B5
Mounting position		H1
Input speed	[rpm]	1400
Output speed	[rpm]	3.48
Rated output torque	[Nm]	900
Service Factor		0.6
Efficiency		0.94
Inertia moment	[kgm <sup>2</sup> ]	0.001587

#### Gear unit configuration

Fixing		Feet
Output shaft		AU 50x100

#### Output radial and axial loads

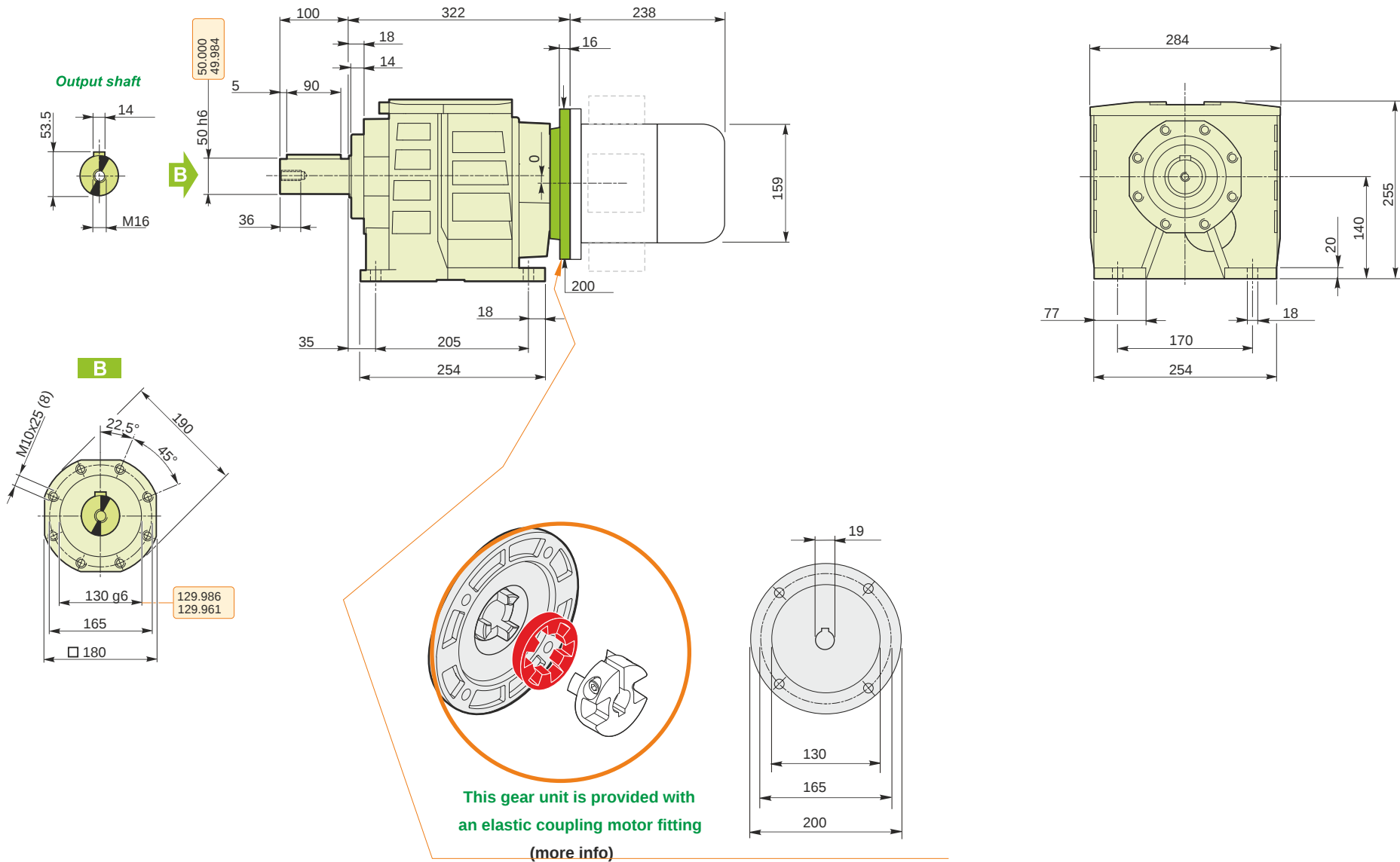
Output radial load	[N]	10500
Output axial load	[N]	2100

#### Electric motor

Size		80 A4
Poles		4
Power	[kW]	0.55

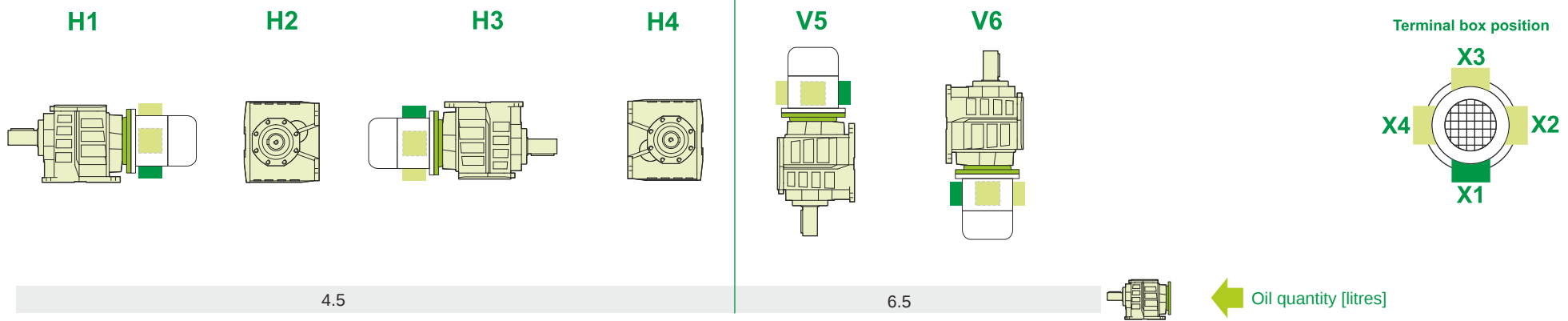
#### Electric motor configuration

Motor flange		B5
Terminal box position		X3



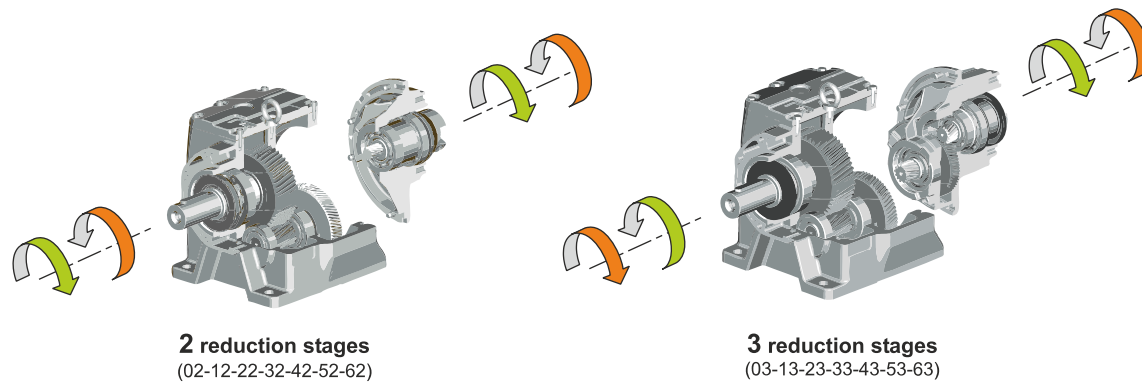
**M RD 53 B3 H1 402.4 80 B5 AU 50x100 MT 0.55 kW 80 A4 B5 X3**

**Mounting positions**



Lubricant type: Long life synthetic oil ISO VG320

**Direction of rotation**



**Weight**

Gear unit [kg]	52
Electric motor [kg]	9.8

**M RD 53 B3 H1 402.4 80 B5 AU 50x100 MT 0.55 kW 80 A4 B5 X3**