

### Input data

System of measurement		Metric
Input type		Gear motor
Input speed	[rpm]	1400
Output speed	[rpm]	34.57
Ratio (i=)		40.5
Frequency	[Hz]	50
Input options		IEC
Requested input power	[kW]	7.5
Service factor		0.8
Rated Power P1	[kW]	6.03

### Output data

**Gear unit** **M RD 62 B3 H1 40.5 132 B14 AU 50x100 MT 7.5 kW 132 M4 B14 X3**

Type		RD - Helical gearboxes
Input type		M
Size		62
Ratio (i=)		40.5
Input flange		B14
Mounting position		H1
Input speed	[rpm]	1400
Output speed	[rpm]	34.57
Rated output torque	[Nm]	1989.13
Service Factor		0.8
Efficiency		0.96
Inertia moment	[kgm <sup>2</sup> ]	0.002792

#### Gear unit configuration

Fixing		Feet
Output shaft		AU 50x100

#### Output radial and axial loads

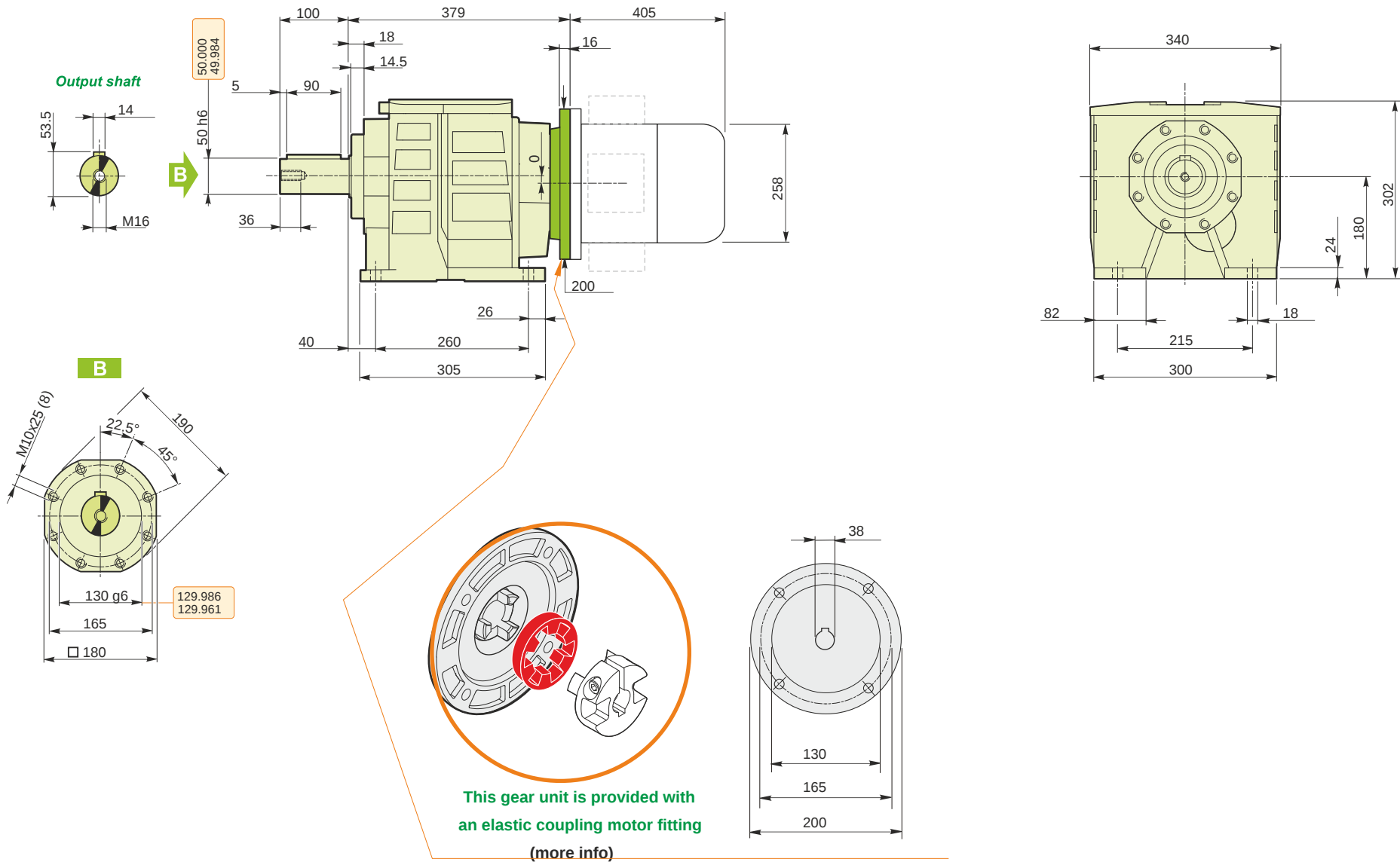
Output radial load	[N]	15700
Output axial load	[N]	3140

#### Electric motor

Size		132 M4
Poles		4
Power	[kW]	7.5

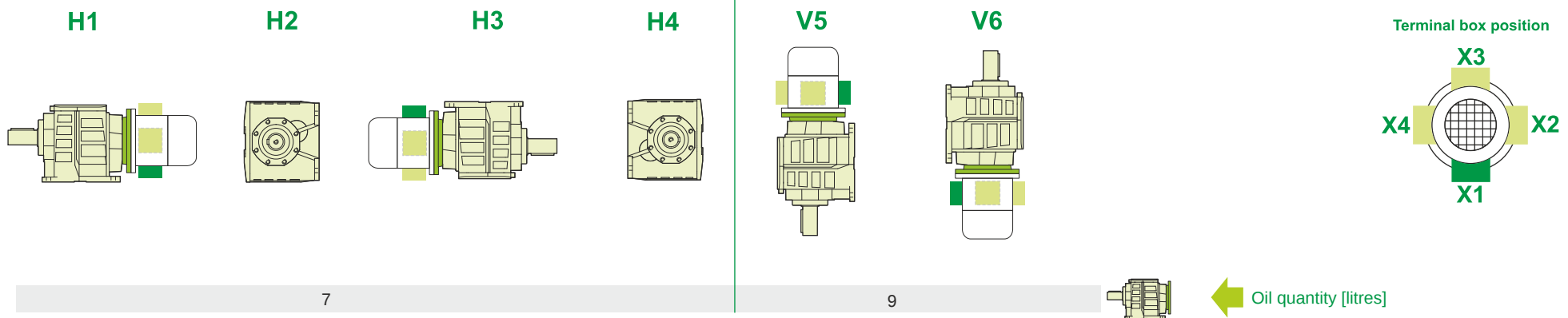
#### Electric motor configuration

Motor flange		B14
Terminal box position		X3



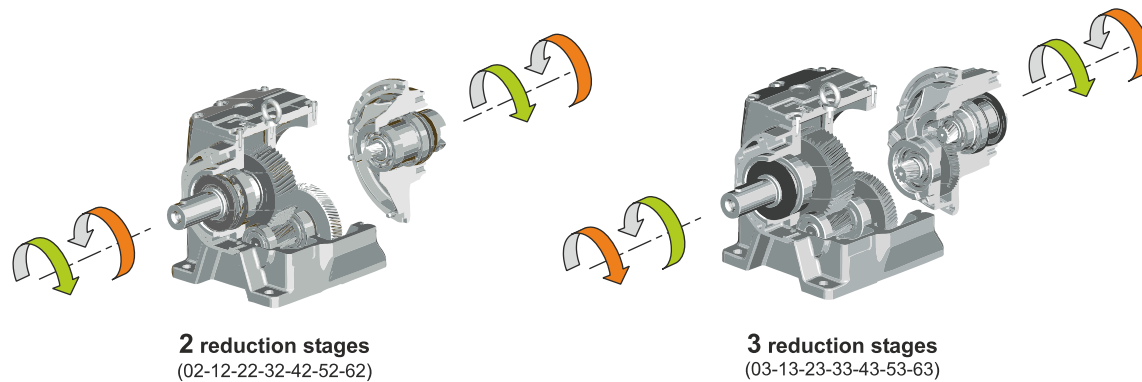
**M RD 62 B3 H1 40.5 132 B14 AU 50x100 MT 7.5 kW 132 M4 B14 X3**

**Mounting positions**



Lubricant type: Long life synthetic oil ISO VG320

**Direction of rotation**



**Weight**

Gear unit [kg]	62
Electric motor [kg]	52

**M RD 62 B3 H1 40.5 132 B14 AU 50x100 MT 7.5 kW 132 M4 B14 X3**