

Input data

System of measurement		Metric
Input type		Gear motor
Input speed	[rpm]	1400
Output speed	[rpm]	13.45
Ratio (i=)		104.1
Frequency	[Hz]	50
Input options		IEC
Requested input power	[kW]	4
Service factor		0.9
Rated Power P1	[kW]	3.44

Output data

Gear unit **M RD 63 B3 H1 104.1 112 B5 AU 60x120 MT 4 kW 112 A4 B5 X3**

Type		RD - Helical gearboxes
Input type		M
Size		63
Ratio (i=)		104.1
Input flange		B5
Mounting position		H1
Input speed	[rpm]	1400
Output speed	[rpm]	13.45
Rated output torque	[Nm]	2670.02
Service Factor		0.9
Efficiency		0.94
Inertia moment	[kgm ²]	0.003498

Gear unit configuration

Fixing		Feet
Output shaft		AU 60x120

Output radial and axial loads

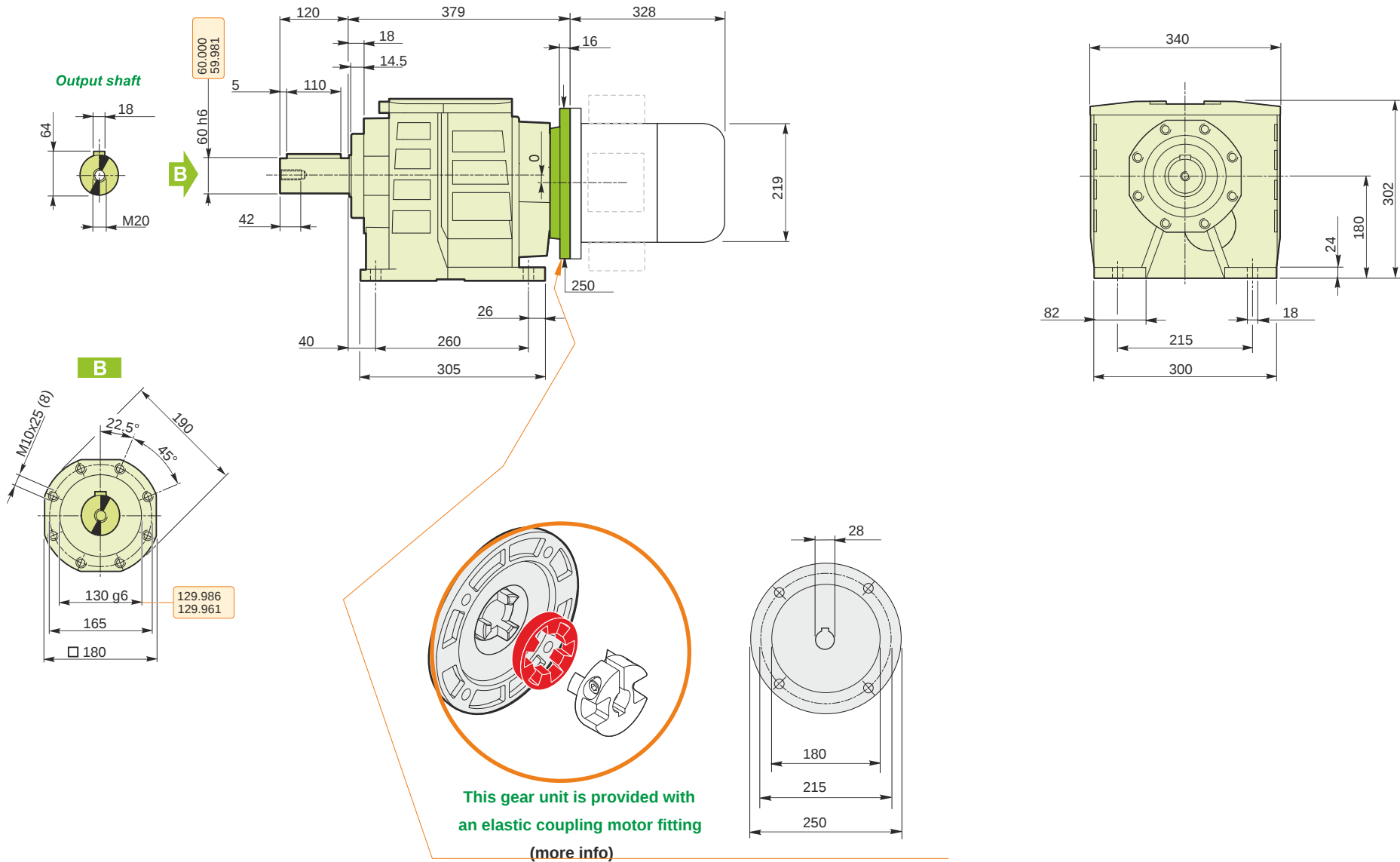
Output radial load	[N]	11900
Output axial load	[N]	2380

Electric motor

Size		112 A4
Poles		4
Power	[kW]	4

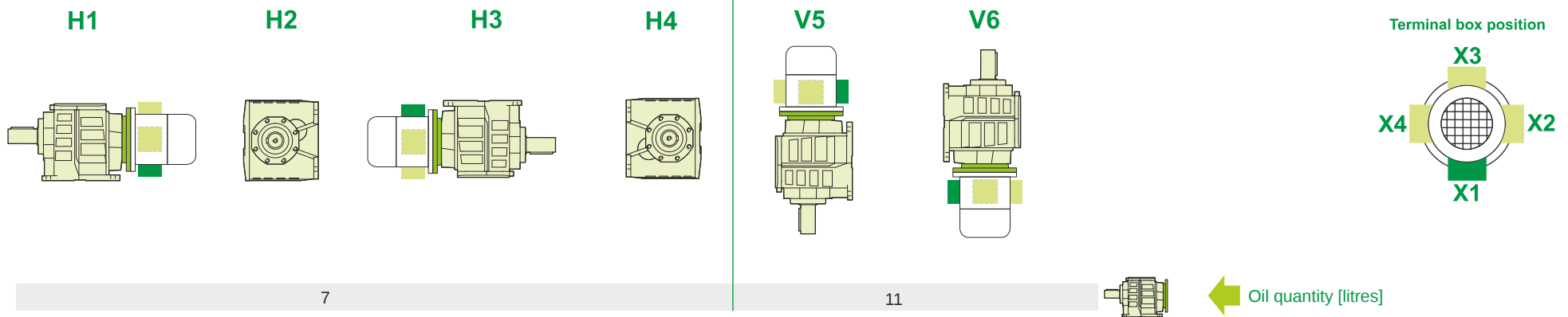
Electric motor configuration

Motor flange		B5
Terminal box position		X3



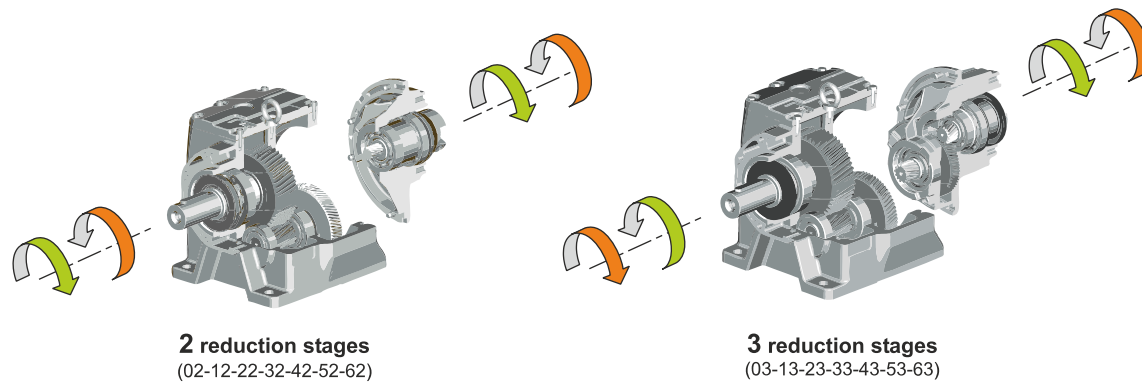
M RD 63 B3 H1 104.1 112 B5 AU 60x120 MT 4 kW 112 A4 B5 X3

Mounting positions



Lubricant type: Long life synthetic oil ISO VG320

Direction of rotation



Weight

Gear unit [kg]	70
Electric motor [kg]	29

M RD 63 B3 H1 104.1 112 B5 AU 60x120 MT 4 kW 112 A4 B5 X3