

Input data

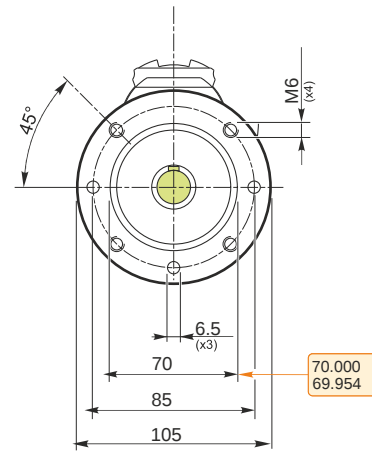
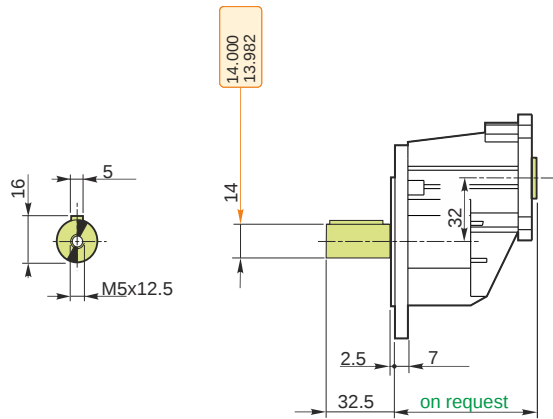
System of measurement		Metric
Input type		Coupling for electric motor
Input speed	[rpm]	1400
Output speed	[rpm]	395.59
Ratio (i=)		3.54
Frequency	[Hz]	50
Input options		IEC
Requested input power	[kW]	0.18
Service factor		2.8

Output data

Gear unit	S XA 63 3.5 63 B5	
Type		XA - One stage helical gearboxes
Input type		S (Elastic coupling)
Size		63
Ratio (i=)		3.54
Input flange		B5
Input speed	[rpm]	1400
Output speed	[rpm]	395.59
Rated output torque	[Nm]	4.26
Service Factor		2.8
Efficiency		0.98

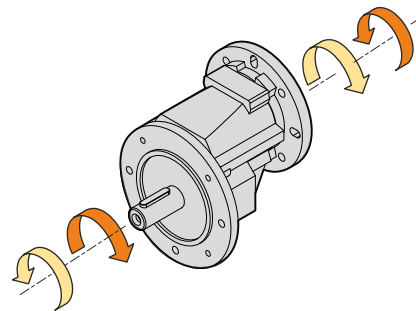
Electric motor coupling

Size		63 B4
Poles n.		4
Power	[kW]	0.18



Lubricant type: Long life synthetic oil ISO VG320

Direction of rotation



Weight

Gear unit [kg]

1.4

S XA 63 3.5 63 B5